

Motion  
for  
creation

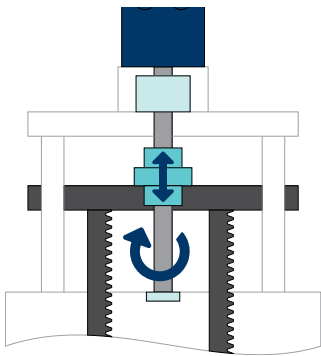
**servomold<sup>®</sup>**  
**INTEGRATED LINEAR ACTION**  
**PGT**

THE POWER ALTERNATIVE TO HYDRAULIC CYLINDERS

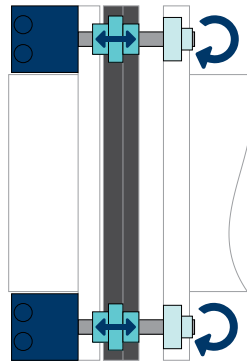
# Linear Actuator – fully integrated

## Compact linear actuator with roller screw and space-saving Servomotor

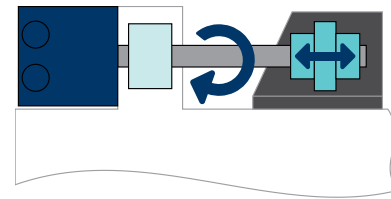
- Spindle length from 250 mm to 3000 mm
- Position encoder system resolver or absolute encoder optional with motor brake
- Particularly low-noise and high travel speeds
- Large number of contact points allows compact design and long lifetime
- High load ratings, high efficiency and high positioning accuracy



*Rack movement*

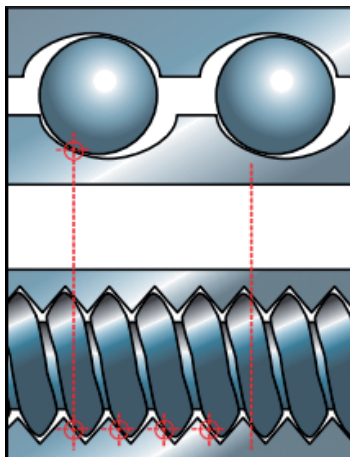


*Plate movement*



*Slider movement*

## Planetary roller screw spindle



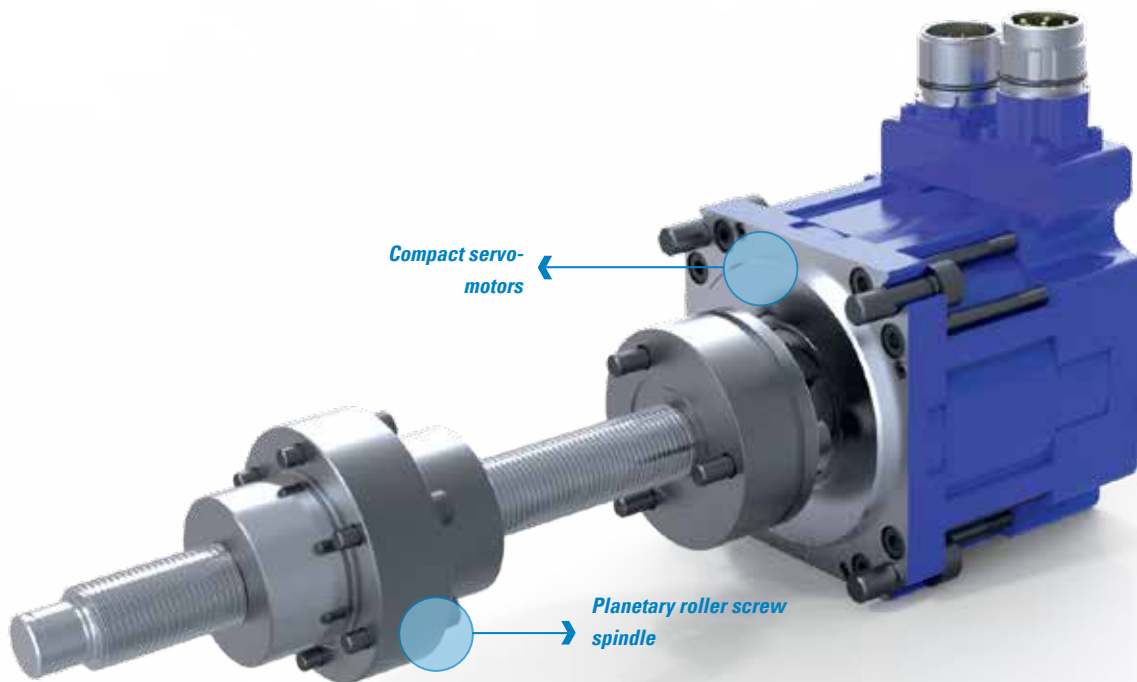
In comparison to ball screws the threaded roller spindle has a lot more contact points. Thus, considerably higher loads can be transmitted with greater rigidity. Advantages:

- Compact dimensions
- High forces and velocities
- Long lifetime (about 15x to KGS)

# PGT Variants

Type	PGT 20x05			PGT 30x05	PGT 30x10	PGT 39x05	PGT 39x10
Servomotor ICM	09J	09N	09N	09N	14N	14N	14N
max. Force [kN]	5	8	11	16	20	24	30
max. Speed [mm/s]	300	300	300	300	500	250	450
Bearing Type*	LBE	LBE	FLE „20x52“	FLE „20x52“	FLE „30x72“	FLE „30x72“	FLE „30x72“
Dyn. load rating C [kN]	18	42	54	54	98	98	98
Size / Incl. Bearing [mm]	ca. 145x145x150	ca. 145x145x170	ca. 145x145x185	ca. 145x145x185	ca. 170x170x280	ca. 170x170x280	ca. 170x170x280
Nut length [mm]	65	65	65	85	85	100	100

\* LBE = Bearing assembly "single" // LBD = Bearing assembly "double" // FLE = Flange bearing unit



The bearing positions can be varied depending on the installation situation



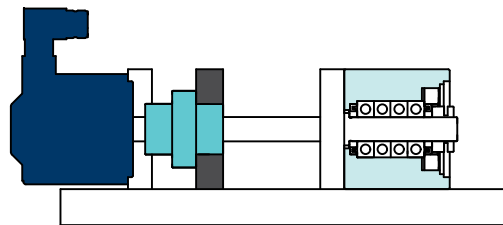
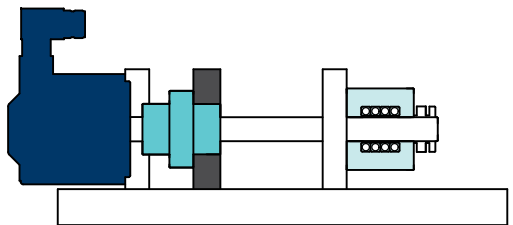
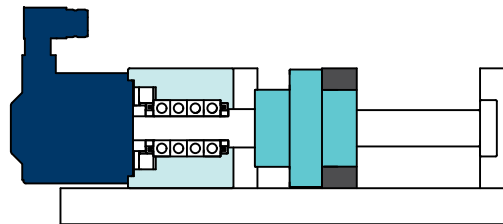
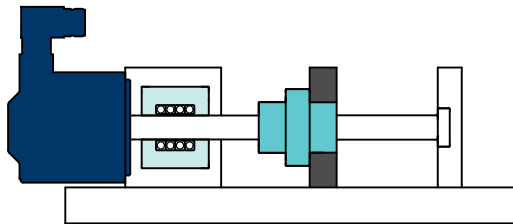
**LBE**



**LBD**



**FLE**



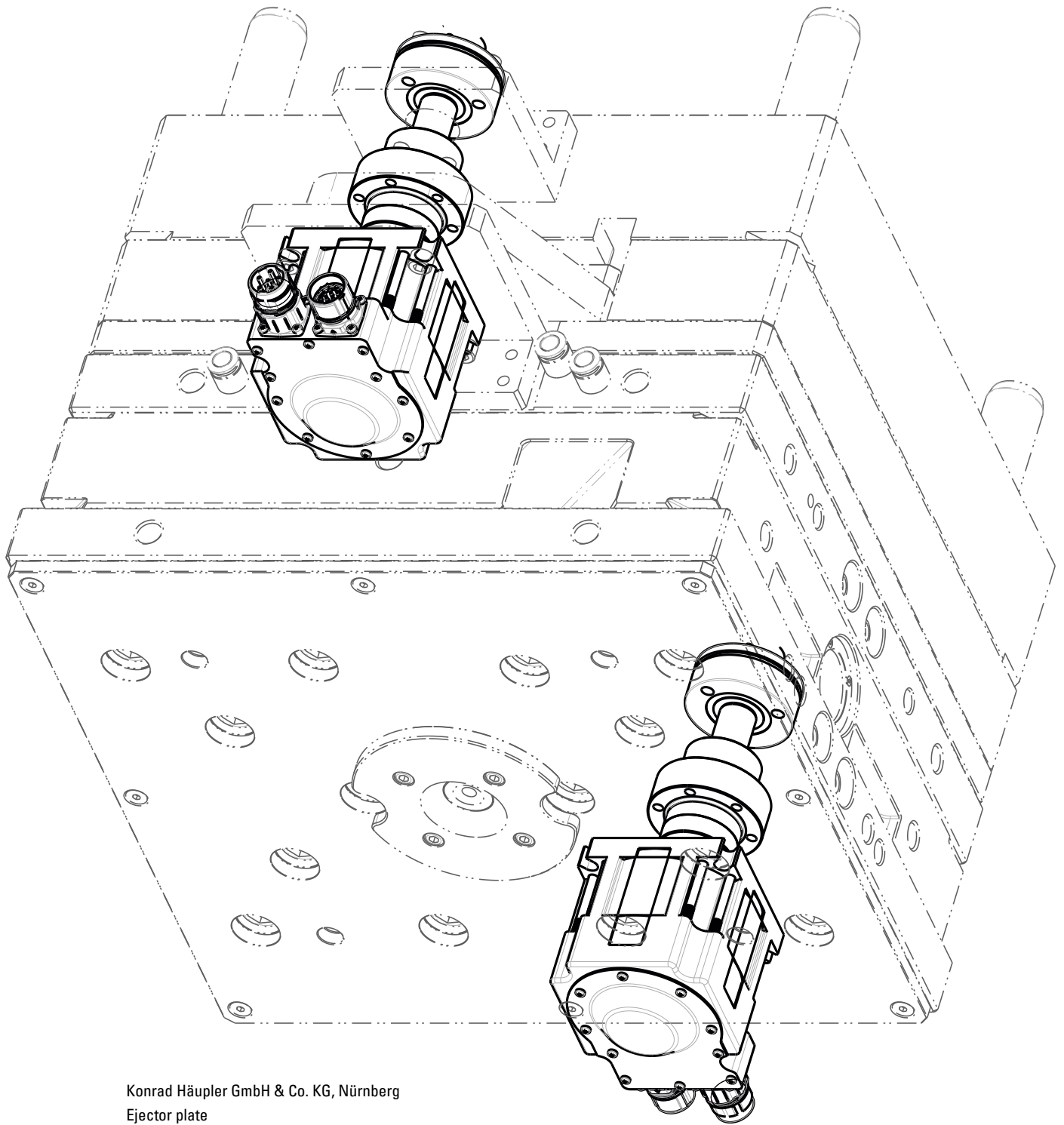
*Bearing assembly "single / double"*

Flange bearing unit

### Important

Depending on the application, a non-usable length of 40 mm must be considered as an addition to the spindle length.  
 Spindle length = nut length + 40 mm + stroke

## References



Konrad Häupler GmbH & Co. KG, Nürnberg  
Ejector plate

**With tens of thousands of products to choose from, DME is your one-stop shop for everything molding.** From complex undercuts solutions and plate control to standard pins, bushings and interlocks, the DME line of mold components will help you build or rebuild your mold base inside out, top to bottom. Industrial Supplies, Mold Bases, MUD Quick-Change, Control Systems, and Hot Runner solutions round out our extensive offering to truly be your one-stop shop.



#### **DME Company LLC**

42827 Irwin Dr.  
Harrison Twp., MI 48045  
**800-626-6653** toll-free tel  
**248-398-6000** tel  
[www.DME.net](http://www.DME.net) web  
DME@DME.net e-mail

#### **DME Canada**

41 Todd Road  
Georgetown, Ontario  
Canada L7G 4R8  
**800-387-6600** toll-free tel  
**905-677-6370** tel  
DME\_Canada@DME.net e-mail

#### **DME Mexico / South America**

Circuito el Marques Notre, No.55  
Parque Industrial El Marqués  
El Marqués, Querétaro, CP 76246  
**52.442.713.5666** tel  
DME\_MX@DME.net e-mail

