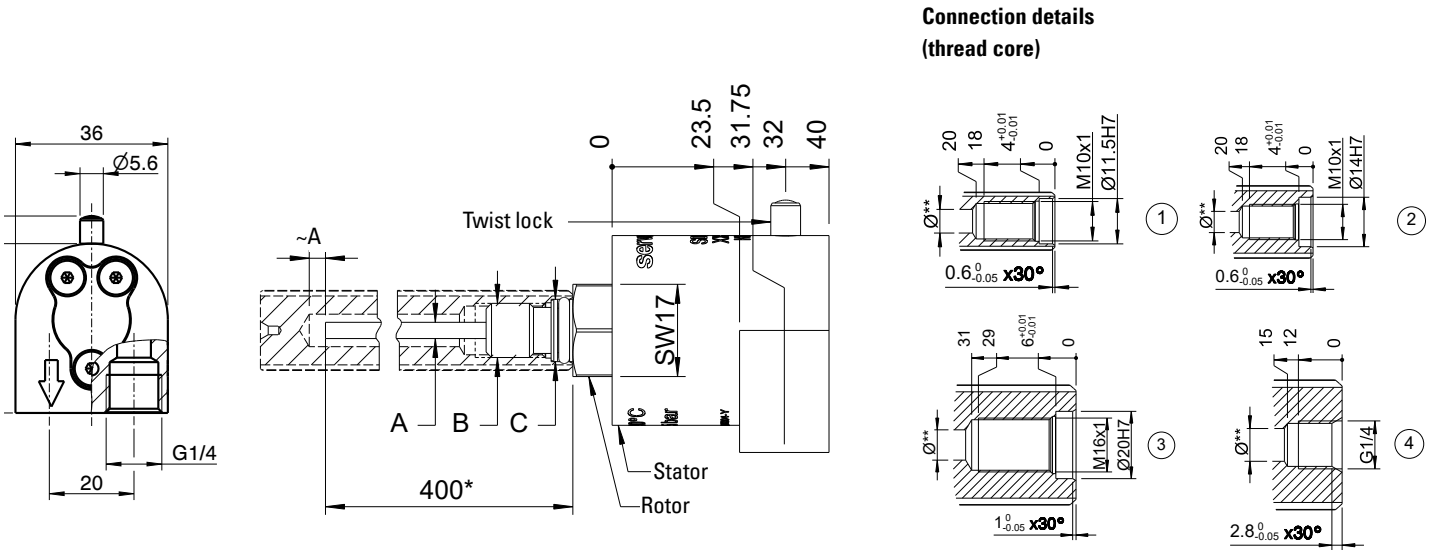




servomold® COMPACT ROTARY COOLING WITH MECHANICAL SEAL

Fully integrated cooling solution
Small and compact design
Temperatures up to 90 °C – pressure up to 5 bar
Variable cooling pipe diameters from 2 to 10 mm possible
Different connection options available

SDG
FOR ROTATING CORES

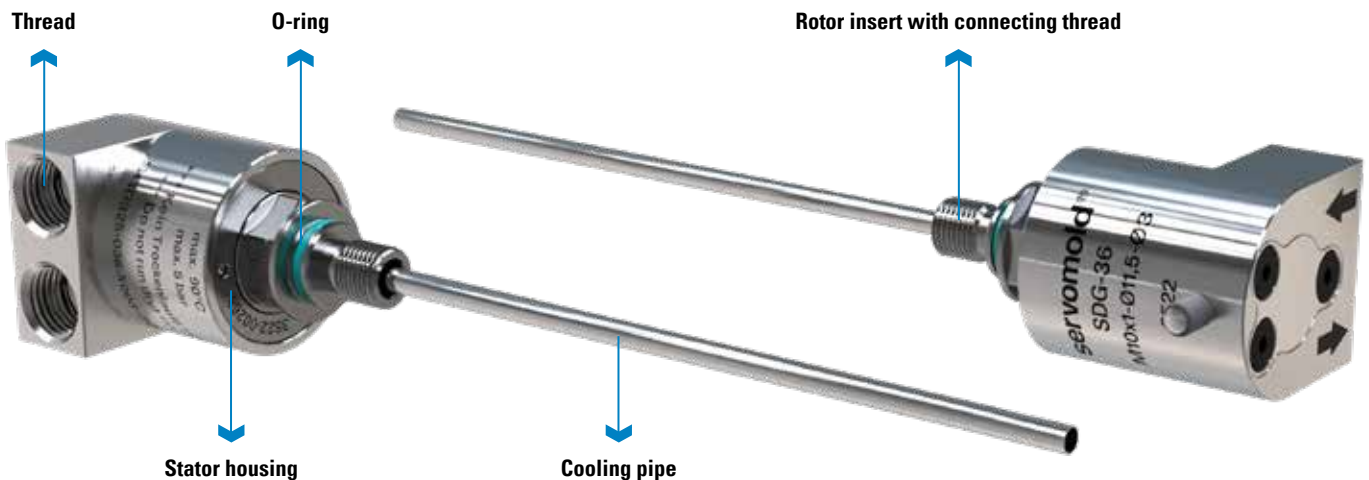


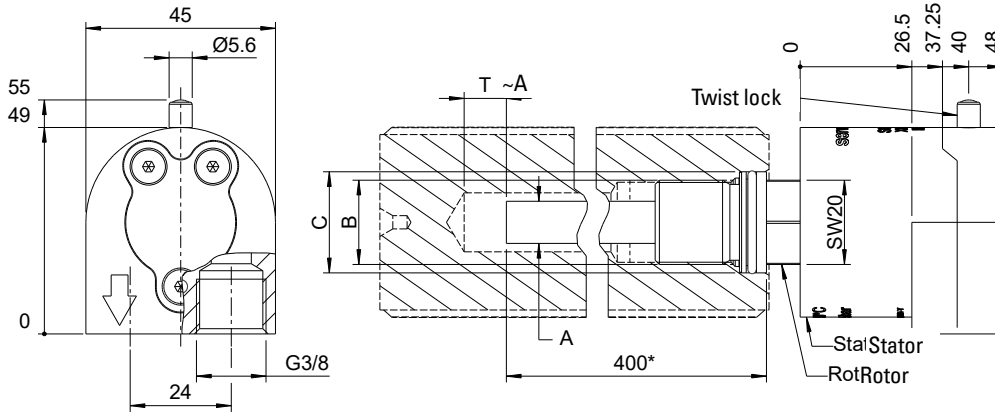
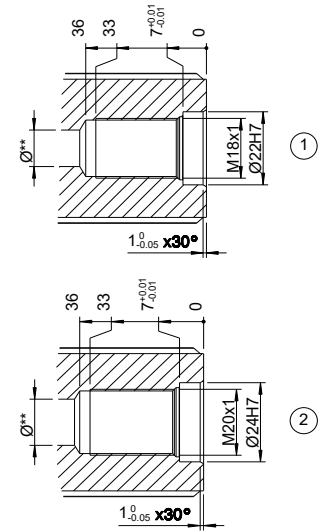
*Standard length, **special length on request.**

**Select diameter for optimum flow depending on cooling tube diameter.

		① SDG-36 M10x1-Ø11,5-A	② SDG-36 M10x1-Ø14-A	③ SDG-36 M16x1-Ø20-A	④ SDG-36 G1/4"-A
Connection detail	C	radial sealing Ø11,5 H7/g6	radial sealing Ø14 H7/g6	radial sealing Ø20 H7/g6	axial sealing
Standard pipe Ø (mm)	A	Ø3	Ø3/Ø4	Ø3/Ø4/Ø6	Ø3/Ø4/Ø6
Special pipe Ø (mm)	A	> Ø 2 <= Ø 3	> Ø 2 <= Ø 4	> Ø 2 <= Ø 6	> Ø 2 <= Ø 6
Thread rotor	B	M 10x1	M 10x1	M 16x1	G 1/4"
Ø O-ring rotor	-	Ø8x2	Ø10,5x2	Ø16x2	Ø11x1,8
Use in Servomold system size	-	35	40/45	50/60	50/60

Sample order no.: SDG-36-M16x1-20-6 (system size-thread-connection detail-pipe diameter)

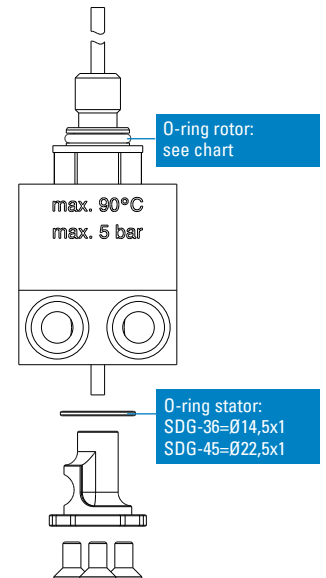



**Connection details
(thread core)**


*Standard length, **special length on request.**

**Select diameter for optimum flow depending on cooling tube diameter.

		① SDG-45 M18x1-Ø22-A	② SDG-45 M20x1-Ø24-A
Connection detail	C	radial sealing Ø22 H7/g6	radial sealing Ø24 H7/g6
Standard pipe Ø (mm)	A	Ø6/Ø8	Ø6/Ø8/Ø10
Special pipe Ø (mm)	A	> Ø6 <= Ø8	> Ø6 <= Ø10
Thread rotor	B	M 18x1	M 20x1
Ø O-ring rotor	-	Ø18x2	Ø20x2
Use in Servomold system size	-	>=70	>=70



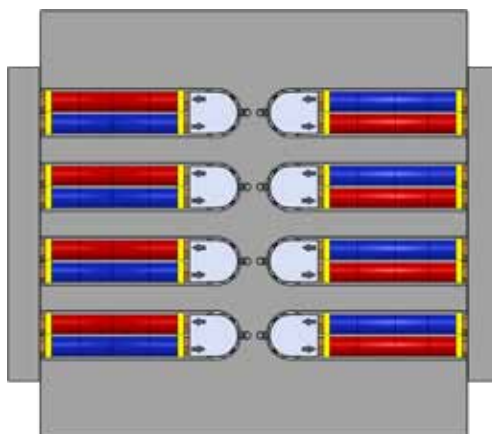
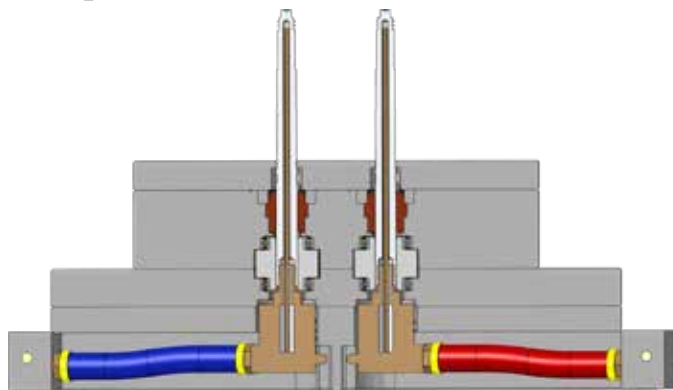
Sample order no.: SDG-45-M18x1-22-8 (system size-thread-connection detail-pipe diameter)

Environmental conditions

Coolant	water
Coolant temperature	max. 90 °C
Pressure	max. 5 bar

- ⚠ Do not run dry!
- ⚠ Please make sure to use clean, filtrated water!
- ⚠ Check o-ring regularly!
- ⚠ Rotor tightening torque 10 Nm!
- ⚠ Use medium-strength threadlocker for rotor!

Installation Example



DME Company LLC

42827 Irwin Dr.

Harrison Twp., MI 48045

800-626-6653 toll-free tel

248-398-6000 tel

www.DME.net web

DME@DME.net e-mail

DME Canada

41 Todd Road

Georgetown, Ontario

Canada L7G 4R8

800-387-6600 toll-free tel

905-677-6370 tel

DME_Canada@DME.net e-mail

DME Mexico / South America

Circuito el Marques Notre, No.55

Parque Industrial El Marqués

El Marqués, Querétaro, CP 76246

52.442.713.5666 tel

DME_MX@DME.net e-mail

eSTORE
store.dme.net
Shop online 24/7.