



servomold[®]
INTEGRATED DRIVE FOR
ROTATABLE INDEXING PLATES

SID

FOR ROTATING CORES

The space-saving complete solution for index plates up to 150 kg

Index Plate Drive - Integrated

Compact rotating unit, completely integrated in injection mold with attached servomotor on top of the tool.

Available for index plates up to 150 kg

Tool temperatures up to 150° C possible

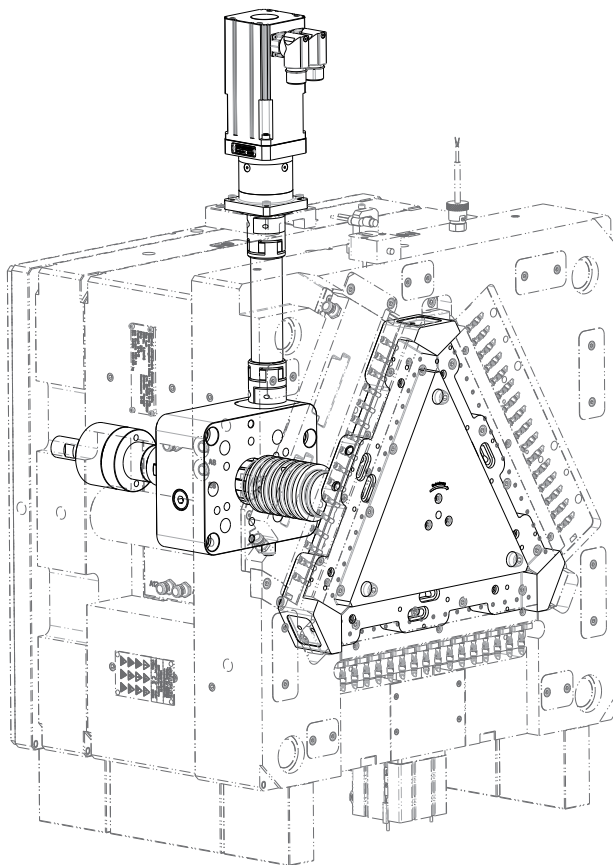
Encoder system resolver or absolute encoder

Servomotor with safety brake

Wormwheel gearbox

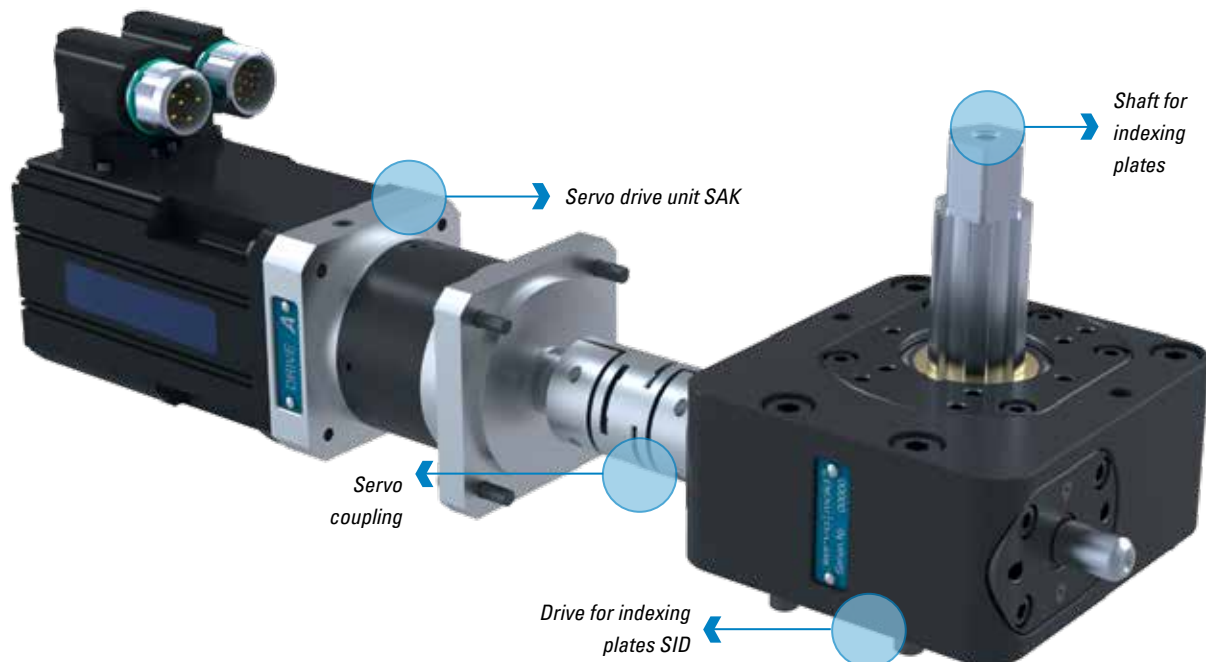
The use of a worm wheel allows the 90° deflection of the drive train and thus the installation of the servo drive unit on the tool.

References



SID Varients

Type	SID050		SID060		SID070		SID120	
For indexing plates up to kg	10	20	30	40	50	80	100	150
Rotating time approx [sec]	0,3	0,5	0,6	0,7	0,7	0,9	0,9	1,1
Gearbox ratio SID	7		6		6,25		12	
Servo drive unit SAK	60-05-0307	60-09-0307	60-09-0307		60-16-0307	80-09-0711	80-05-0711	
Indexing shaft splined shaft Ø [mm]	28/22		38/32		52/46		78/72	
SID dimenstions W x H x D [mm]	105 x 115 x 52		115 x 145 x 64		150 x 180 x 75		165 x 215 x 90	



With tens of thousands of products to choose from, DME is your one-stop shop for everything molding.

From complex undercuts solutions and plate control to standard pins, bushings and interlocks, the DME line of mold components will help you build or rebuild your mold base inside out, top to bottom. Industrial Supplies, Mold Bases, MUD Quick-Change, Control Systems, and Hot Runner solutions round out our extensive offering to truly be your one-stop shop.



DME Company LLC

42827 Irwin Dr.

Harrison Twp., MI 48045

800-626-6653 toll-free tel

248-398-6000 tel

www.DME.net web

DME@DME.net e-mail

DME Canada

41 Todd Road

Georgetown, Ontario

Canada L7G 4R8

800-387-6600 toll-free tel

905-677-6370 tel

DME_Canada@DME.net e-mail

DME Mexico / South America

Circuito el Marques Notre, No.55

Parque Industrial El Marqués

El Marqués, Querétaro, CP 76246

52.442.713.5666 tel

DME_MX@DME.net e-mail